

NINFA 250 ALSO COMES IN PARTS

Colour finish:
shiny, like steel.

**ninfa never
ceases to
amaze you**

NINFA 250 profile for glass balustrade is mounted on the side of the floor or on the staircase's side. **Now available in pieces.**

Get more prestige from the **new aluminum cover.**
Also available with **steel-like finish!**

Ninfa R: all-glass enclosure.

The "Ninfa" product can be bought by linear meter. Find out how much it costs! >>>



skype:
Faraone.it

number

05

03.2011

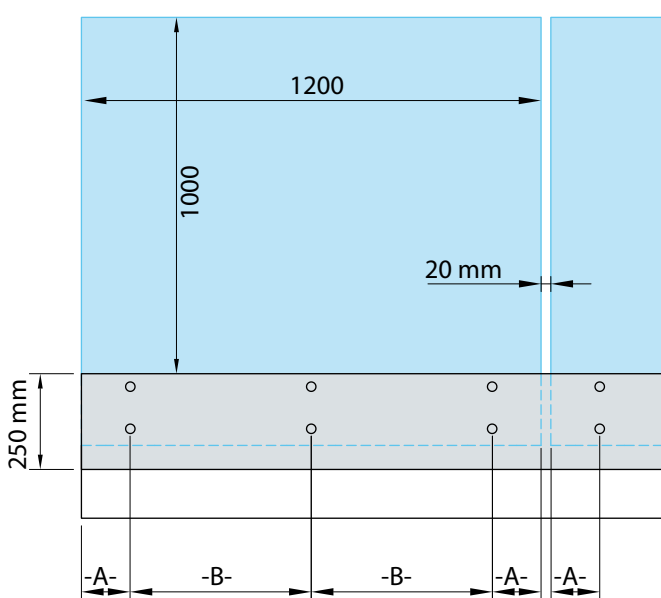
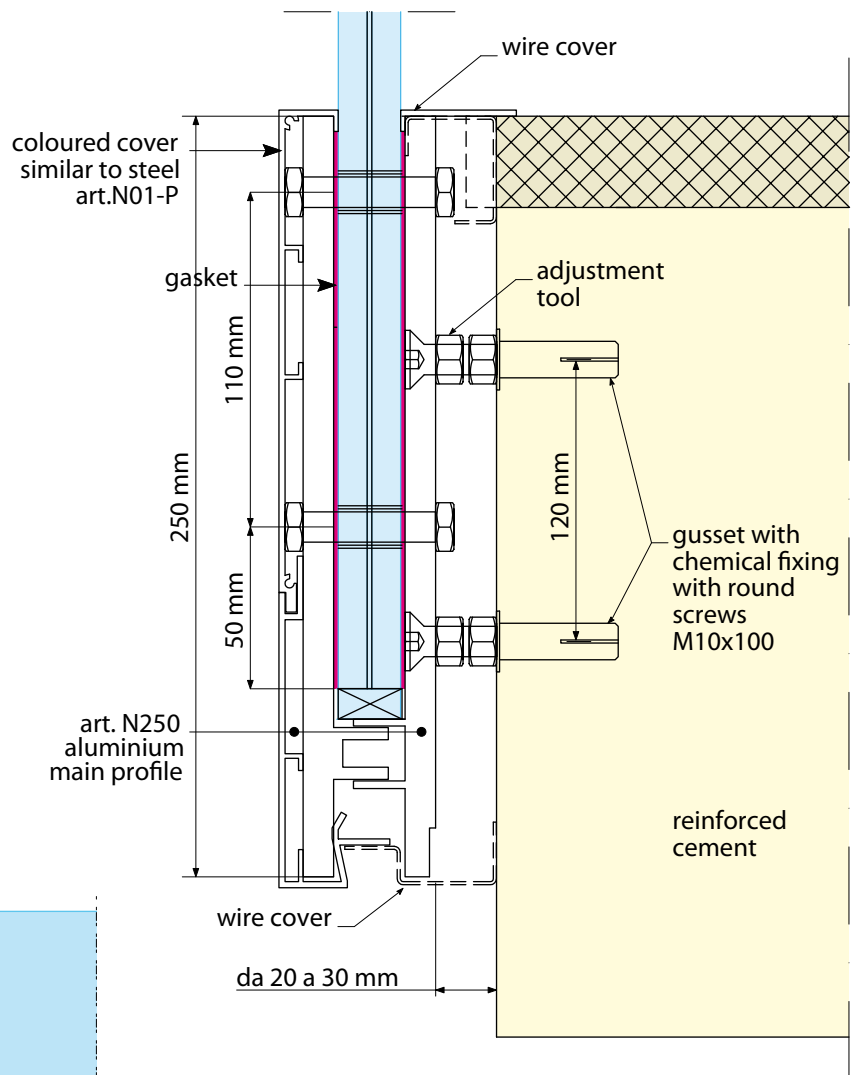
www.faraone.it

Example of how to assemble it on the floor.

Thrust Resistance 300Kg/ml

NINFA 250

Complete profile (not in parts)



Testing certified in the laboratory.

	Glass	A	B
Thrust resistance 200Kg	10+10+1,52 PVB	approximately 120mm	approximately 400mm
Thrust resistance 300Kg	12+12+1,52 PVB	approximately 120mm	approximately 300mm

Example of the cost of a NINFA 250 (in complete rods) for a glass width of approximately 120cm

A) PROFILES PROVIDED IN RODS OF 6MT WITHOUT LAVORAZIONI

- Raw aluminium profile article N250 mt 1,20 x 180 euros	216,00 euros
- Covering profile in coloured anodized aluminium "similar to steel" (only outside) mt 2,40 x 45 euros	54,00 euros
- Aluminium wire covering "Like Steel" (internal) mt 2,40 x 11 euro	26,00 euros
- Various screws for attachment	55,00 euros
TOTAL COST	351,00 euros (+ m 1,20)

B) PROFILES CUT TO SIZE AND DRILLED* ACCORDING TO YOUR DESIGN

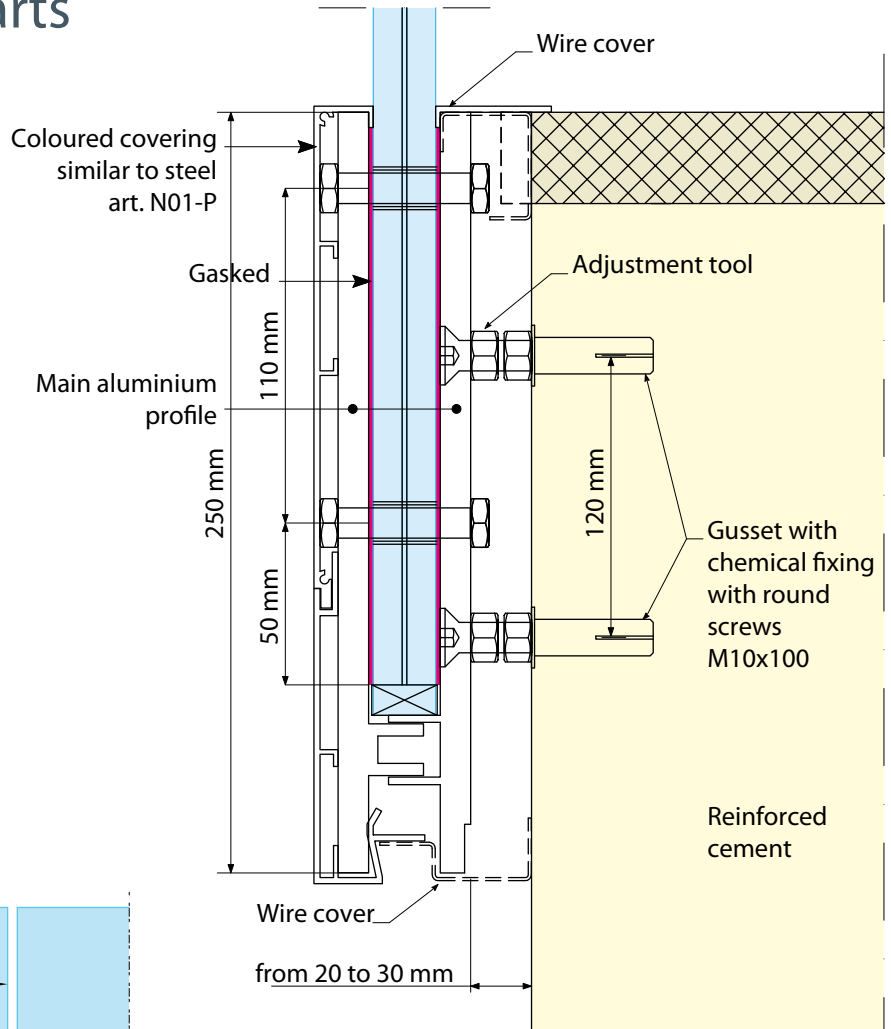
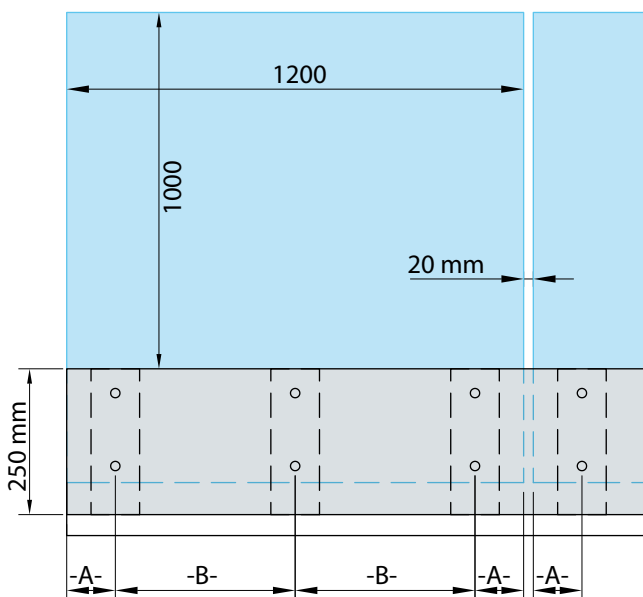
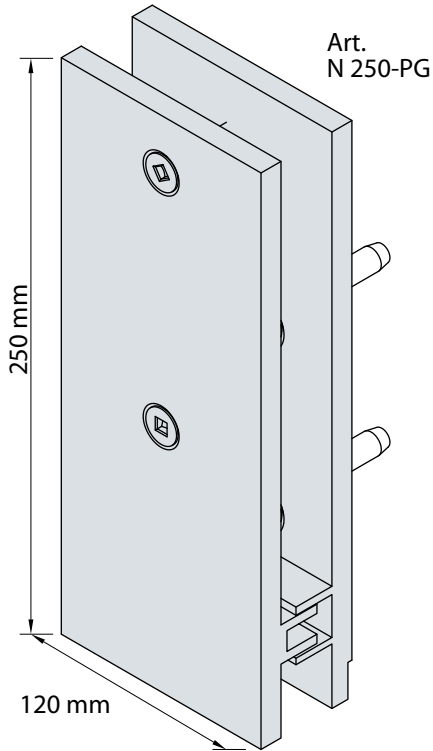
- Raw aluminium profile article N250 mt 1,20 x (260+20 euros)	336,00 euros
- Covering profile in coloured anodized aluminium "similar to steel" (only outside) mt 2,40 x 75 euros	90,00 euros
- Aluminium wire covering "Like Steel" (internal) mt 2,40 x 15 euro	36,00 euros
	462,00 euros (+ m 1,20)

COST PER LINEAR METERS 292,00 EUROS

COST PER LINEAR METERS 385,00 EUROS

Ninfa 250 comes in parts

Example of how to assemble on the side



Testing certified in the laboratory.

	Vetro Temperato	A	B
Thrust resistance 100Kg	8+8+1,52PVB	approximately 120mm	approximately 300mm
Thrust resistance 100Kg	10+10+1,52PVB	approximately 120mm	approximately 500mm
Thrust resistance 200Kg	10+10+1,52PVB	approximately 120mm	approximately 300mm
Thrust resistance 300Kg*	12+12+1,52PVB	approximately 120mm	approximately 200mm

* with complete Ninfa 250 (not in parts)

The kit includes all accessories: adjustment tools, screws and trimmings (except the cartridges for chemical fixing)

Available for delivery in April 2011

Example of the cost of an accessory kit for the Ninfa 250 in parts for glass 10+10+1, 52 wide approximately 120cm. (100Kg resistance)

- Article N250-PG (raw aluminium) n.3 parts x 55 euros
- Main profile art M09-GU cm 120x26 euros 165,00 euro
- * - Coloured Covering profile in anodized aluminium "similar to steel" (only the outside) mt 1,20 x 45 euros 54,00 euro
- * - Coloured anodized wire covers "similar to steel" (interior) mt 2,40x11 euros 26,00 euro
- (*profiles in rods of 6mt)

TOTAL COST 245,00 euro (÷ m 1,20)

COST PER LINEAR METERS 204.00 EUROS

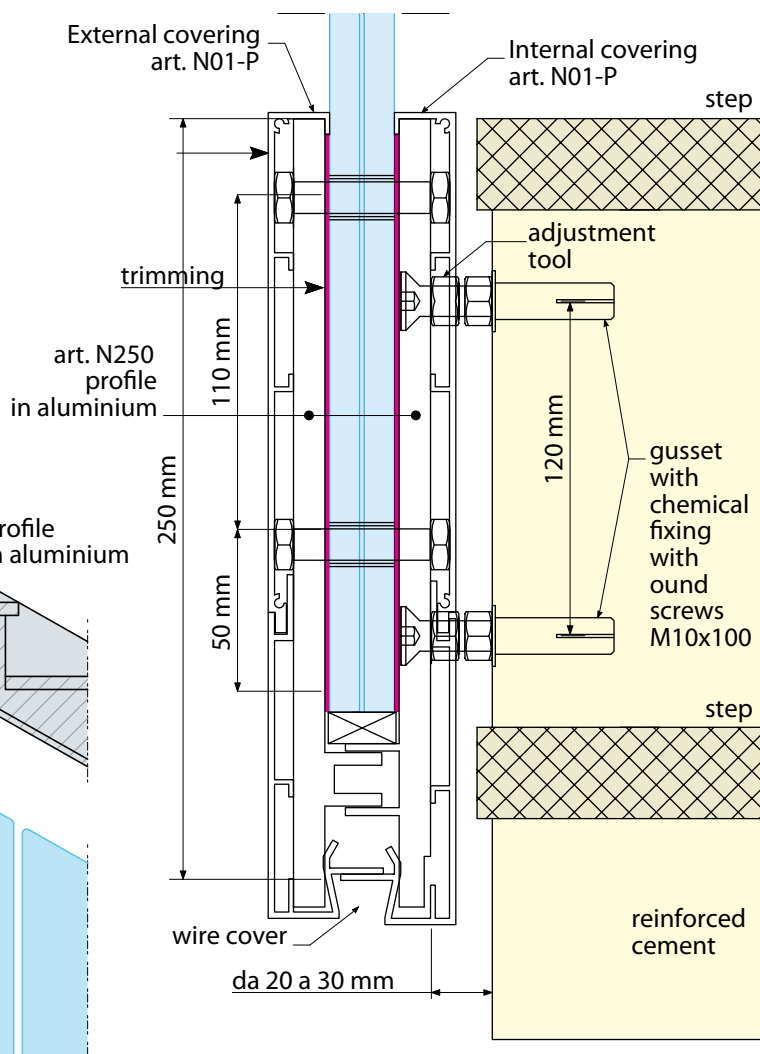
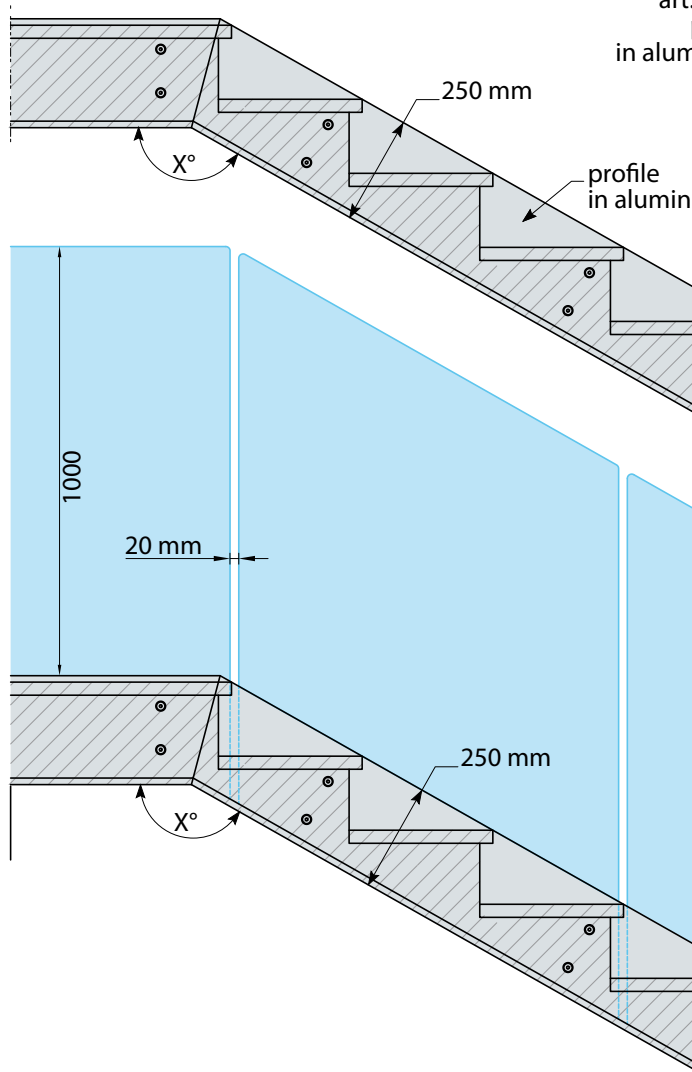
Faraone
STAINLESS STEEL AND GLASS PRODUCTS FOR ARCHITECTURE

Faraone news
02/2011

Example of how to assemble on the staircase's side

NINFA 250

Complete profile (not in parts)



Testing certified in the laboratory.

	Tempered Glass	Fixing
Thrust resistance 100Kg	8+8+1,52PVB	1 kit for each step
Thrust resistance 100Kg	10+10+1,52PVB	1 kit for every 2 steps
Thrust resistance 200Kg	10+10+1,52PVB	Each step
Thrust resistance 100Kg*	12+12+1,52PVB	Each step

*With complete Ninfa 250 profile (not in parts)

Example of the cost of a NINFA 250 (in complete rods) for a glass width of approximately 120cm (resistance 100Kg.)

A) PROFILES PROVIDED IN RODS OF 6MT WITHOUT CUTTING AND DRILLING

- Raw aluminium profile article N250
mt 1,20 x 180 euros 216,00 euro
 - Covering profile in coloured anodized aluminium "similar to steel"
(inside/outside) mt 2,40x45 euros 108,00 euro
 - Various screws for fixing 55,00 euro
- TOTAL COST 379,00 euro (+ m 1,20)**

B) PROFILES CUT TO SIZE AND DRILLED* ACCORDING TO YOUR DRAWING

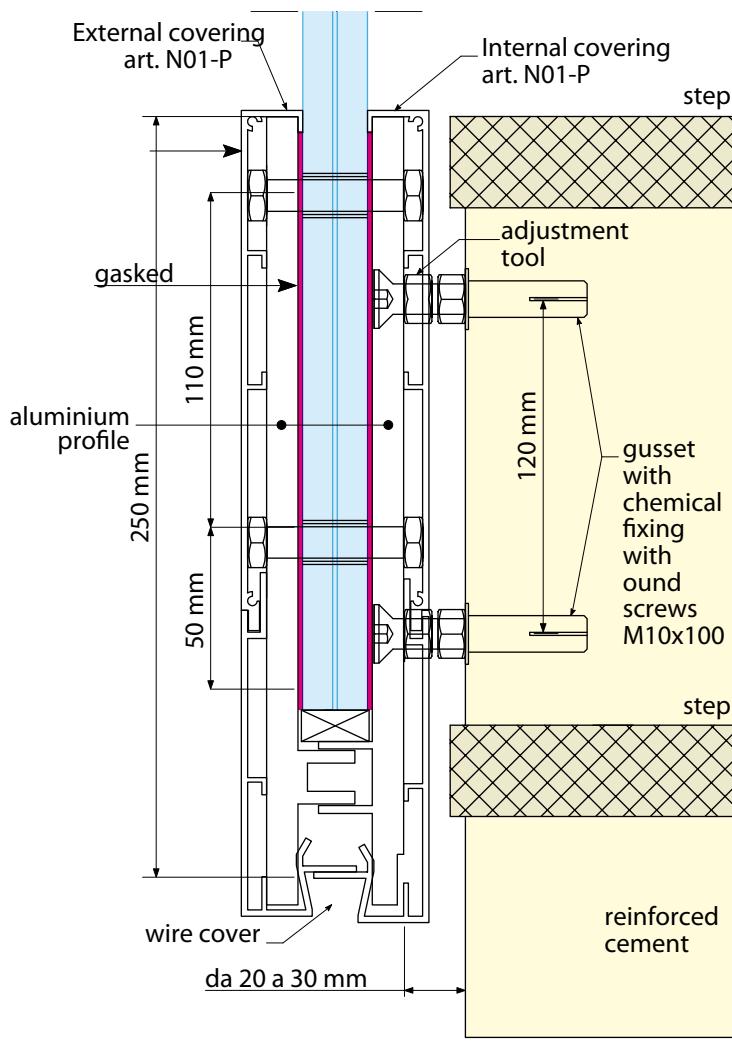
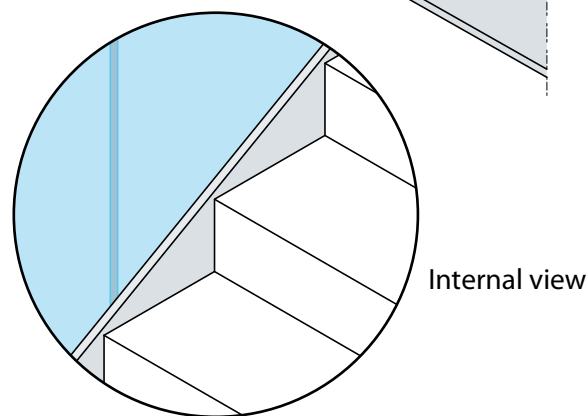
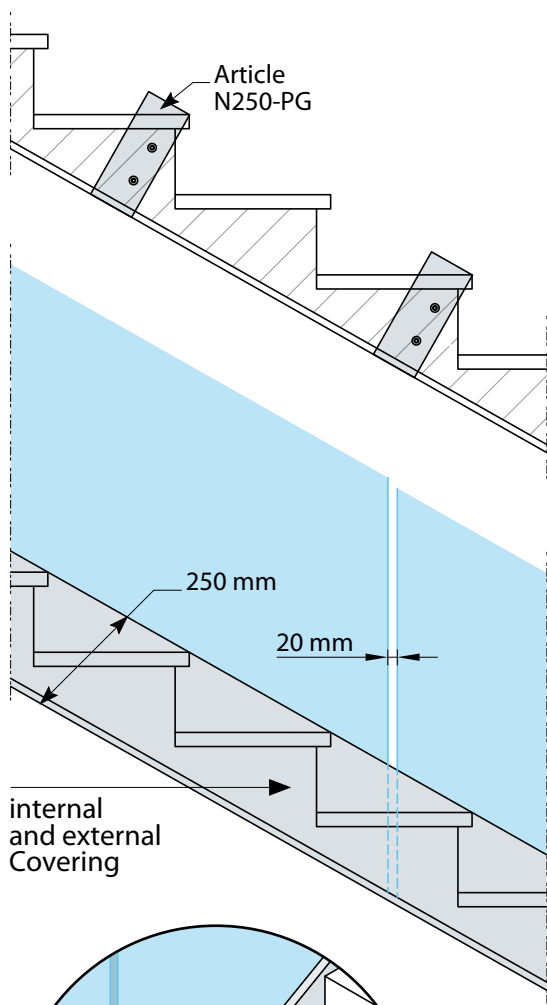
- Raw aluminium profile article N250
mt 1,20 x (260+35 euros) 354,00 euro
 - Carter profile in coloured anodized aluminium "similar to steel"
(inside/outside) mt 2,40x75 euros 180,00 euro
 - Various screws for fixing 55,00 euro
- TOTAL COST 589,00 euro (+ m 1,20)**

COST PER LINEAR METERS 316,00 EUROS

COST PER LINEAR METERS 499,00 EUROS

Ninfa 250 comes in parts

Example of how to assemble on the staircase's side



Testing certified in the laboratory.

	Tempered Glass	Fixing
Resistance to the force 100Kg	8+8+1,52PVB	1 kit for each step
Resistance to the force 100Kg	10+10+1,52PVB	1 kit for every 2 steps
Resistance to the force 200Kg	10+10+1,52PVB	Each step
Resistance to the force 100Kg*	12+12+1,52PVB	Each step

*With complete Ninfa 250 profile (not in parts)

The kit includes all accessories: adjustment tools, screws and trimmings.
(except the cartridges for chemical fixing)

Available for delivery in April 2011

Example of the cost of a NINFA 250 in parts accessory kit for glass with a thickness of 10+10+1,52 wide, approximately 120cm (thrust resistance 100Kg.)

- Article N250-PG (raw aluminium) n.3 parts x 55 euros 165,00 euro
- * - Covering profile in coloured anodized aluminium "similar to steel" (inside/outside) mt 2,40x45 euros 108,00 euro (*profiles in rods of 6mt)

TOTAL COST 273,00 euro (÷ m 1,20)

COST PER LINEAR METERS 228.00 EUROS

Faraone
ACCIAIO INOX E VETRO PER L'ARCHITETTURA

Faraone news
02/2011

Other new product include border all in glass.

Ninfa R , the

Comes complete with glass in standard sizes

I.P.

With glass H. cm 100x120 **250,00 euro** per mt (glazing not included)

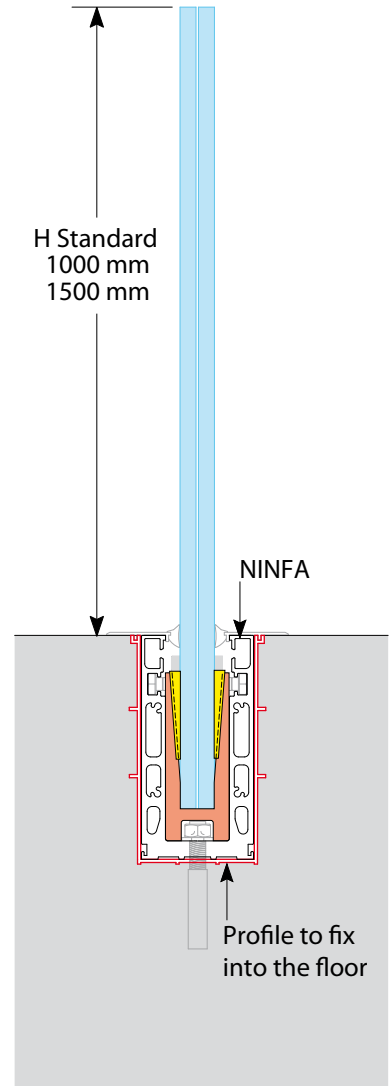
With glass H. cm 150x120 **290,00 euro** per mt (glazing not included)

Kit made up of profiles in aluminium similar to "ninfa in parts", including tempered glass 8+8+0.76.

Glass delivery: 90 days.

In standard sizes (endings are cut to size).

The profile can be set up in three positions: fitted into the floor half fitted into the floor, visible on the wall.



I request, with no transport cost, the **New General Catalogue.**

NINFA 2011 . Address: company..... Street.....

..... State..... City

ZIP code..... e-mail.....



New Catalogue 2011



STAINLESS STEEL AND GLASS PRODUCTS FOR ARCHITECTURE

FARAONE S.r.l.
VIA PO, 12 - 64018 TORTORETO (TE) ITALY
TEL. +39 0861.784200
FAX +39 0861.781035
www.faraone.it - segreteria@faraone.it



SHOWROOM MILANO
VIA CERVI, 7
TREZZANO SUL NAVIGLIO (MI)
TEL. 02.4456531
CELL. 338.6560794
milano@faraone.it