

NINFA: THE FAMILY GROWS.



patented
system

NINFA.
safer
less costs

*Ninfa 2 is the **new certified profile for a force of 300 Kg /ml** without expanding cement.*

Both Ninfa and Ninfa 2 are great value for money.

Our range of accessories is constantly growing and now includes the new product "CUNEO".

The "Ninfa" product can be bought by linear meter. Find out how much it costs! >>>



skype:
Faraone.it

number **04** 2011.02

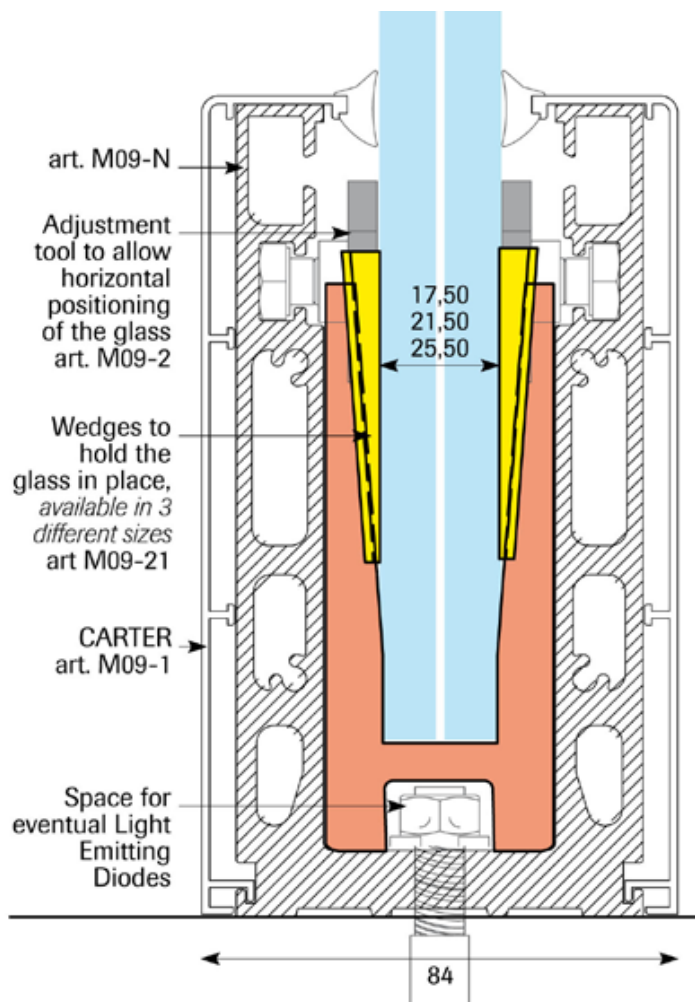
www.faraone.it

Assembly system for resistance to the force range of 100/200/300 kg, in linear meters.

NINFA

Article M09-N

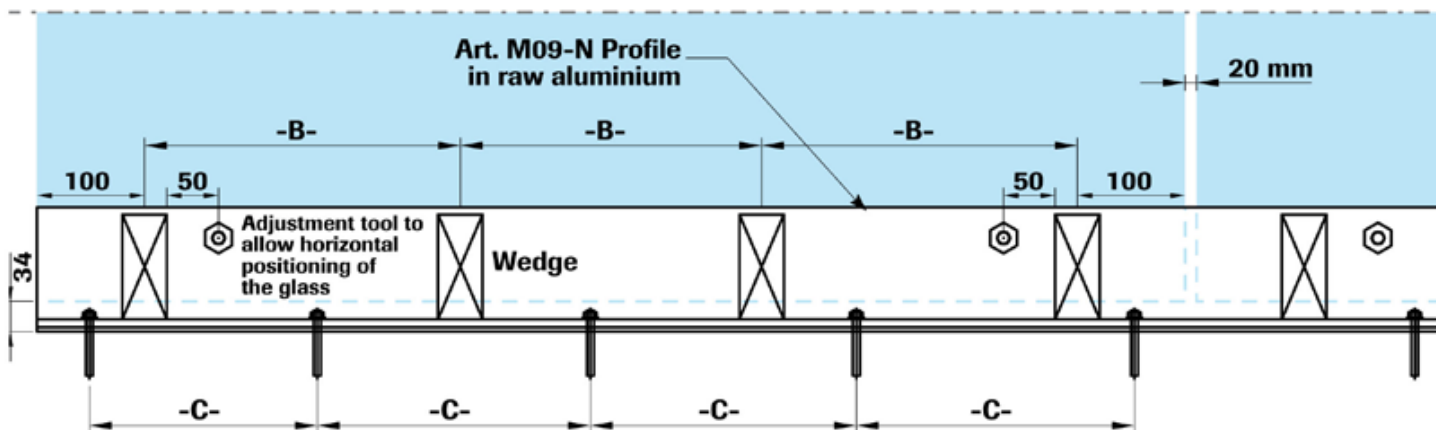
Approximately
165,00
euro ml



Testing certified in the laboratory.

	Glass	B	C
Resistance to the force 100Kg	8+8+1,52 PVB	approximately 300mm	approximately 300mm
Resistance to the force 100Kg	10+10+1,52 PVB	approximately 500mm	approximately 300mm
Resistance to the force 200Kg	10+10+1,52 PVB	approximately 300mm	approximately 300mm
Resistance to the force 300Kg*	12+12+1,52 PVB	approximately 500mm	approximately 200mm

* Only if filled with expanding cement



The Ninfa range is also extending its selection of accessories with the new product CUNEO, which fills the gap between the thicknesses of the glass parts.

(CUNEO available for delivery from April 2011)

Example of the cost of an accessory kit for glass with a thickness of 120cm

- Ninfa profile art. M09-N / cm 120 x 97 euro **116,40 euro** (price per rod)
- Carter profile in anodized aluminium art. M09-1 cm (120x2) 240 x 16 euro **38,40 euro** (price per rod)

ACCESSORIES

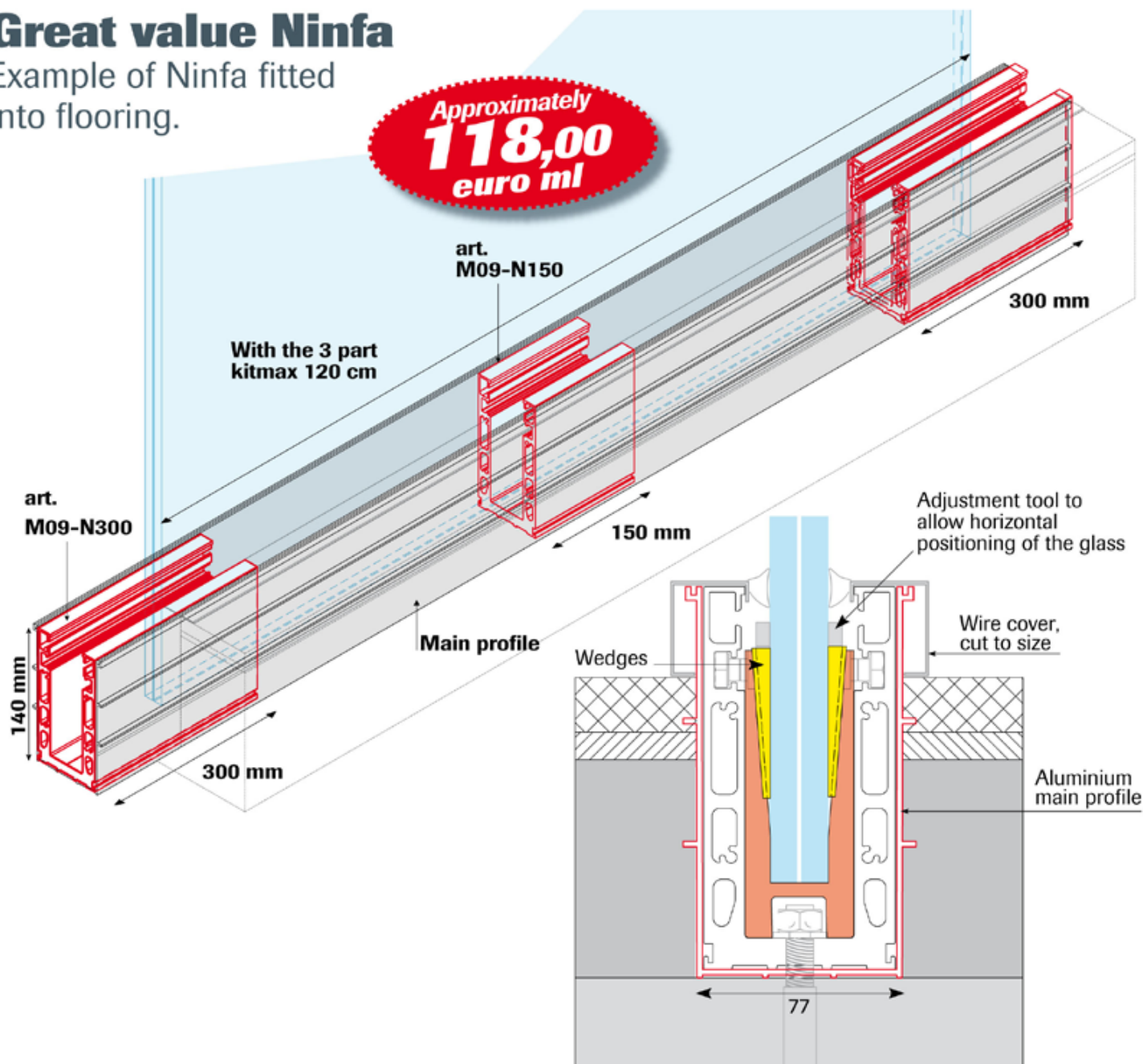
- Adjustment tool to allow horizontal positioning of the glass art. M09-2A / N° 4 x 2,30 euro **9,20 euro**
 - Poliamide wedges (complete kit) art. M09-21B / N. 5 x 2,80 euro **14,00 euro**
 - Gaskets in Epdm: mt 2,40 x 2,00 euro **4,80 euro**
 - Floor attachments: screws and expansion art. M09-11/ N° 5 x 3,00 euro **15,00 euro**
- (Seals for the beginning/end of the balustrade: 6 euros each)

TOTAL COSTS **197,80 euro** (~ m 1,20)

COST IN LINEAR METERS 165.00 EUROS

Great value Ninfa

Example of Ninfa fitted into flooring.



Testing certified in the laboratory.

glass	resistance in linear meters
8+8+1,52	non certified
10+10+1,52	100 kg if placed on a light screed or reinforced cement

The kit includes all the necessary accessories: adjustment tools, wedges, fixing screws

(Sistema in consegna da Aprile 2011)

Example of the cost of an accessory kit for glass with a thickness of 120cm

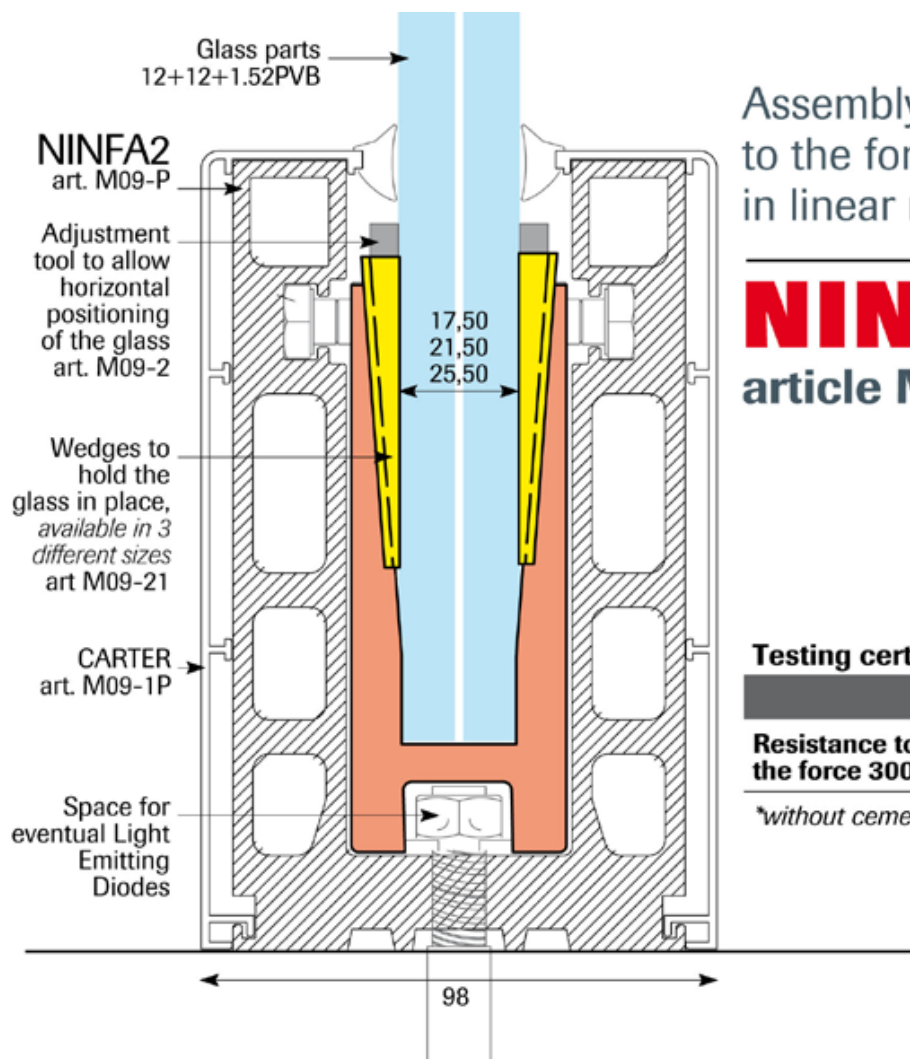
- Main profile art M09-GU cm 120x26 euros	31,20 euro
- Profile in parts art.M09-N300 complete with accessories n° 1x57 euros	57,00 euro
- Profile in parts art.M09-N150 complete with accessories n° 1x24 euros	24,00 euro
- Floor wire covering profile (n. 2x1,20 mt) mt 2.40 x 10 euro	24,00 euro
- EPDM gaskets 2,40 x 2 euro	4,80 euro
<i>(Seals for the beginning/end of the balustrade: 6 euros each)</i>	

TOTAL COSTS 141,00 euro (+ m 1,20)

COST IN LINEAR METERS 118.00 EUROS

Faraone
STAINLESS STEEL AND GLASS PRODUCTS FOR ARCHITECTURE

Faraone news
01/2011



Assembly system for resistance to the force range of 300 kg, in linear meters.

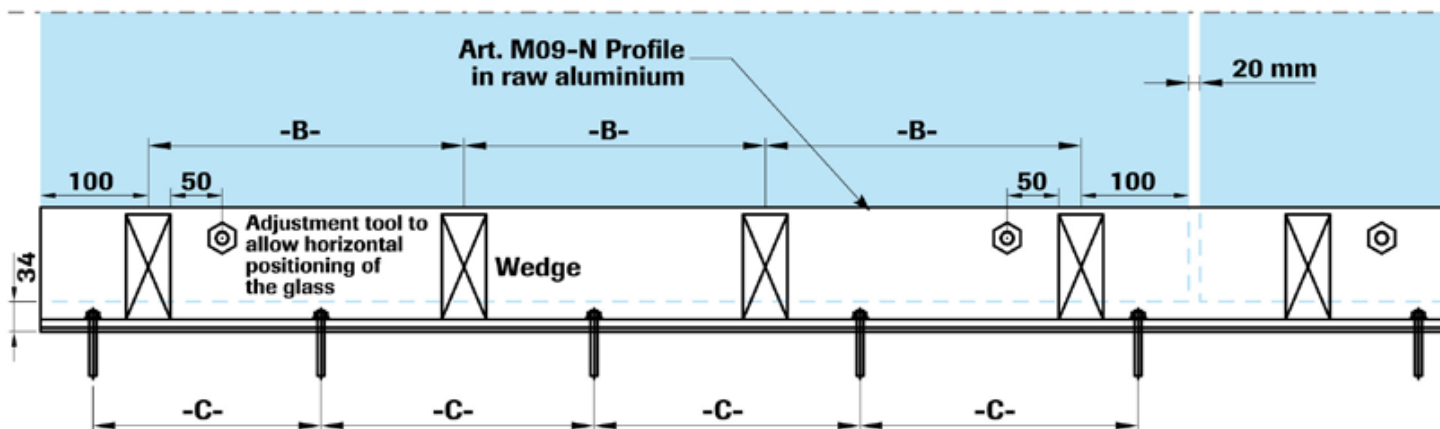
NINFA 2 (heavy profile) article M09-P

Approximately
205,00
euro ml

Testing certified in the laboratory.

	Glass	B	C
Resistance to the force 300Kg	12+12+1,52 PVB	approximately 300mm	approximately 200mm*

*without cement



NINFA 2
The new profile
certified for a
force of
300kg/ml
without expanding cement.

(CUNEO available for delivery from April 2011)

Example of the cost for an accessory kit for a glass with a thickness of 120 cm

- Ninfa 2 profile art. M09-P / cm 120 x 128 euros **153,60 euro** (price per rod)
- Carter profile in anodized aluminium art. M09-1P / cm (120x2) 240 x 16 euros **38,40 euro** (price per rod)

ACCESSORIES

- Adjustment tool art. M09-B / N° 4 x 2,30 euros **9,20 euro**
- Poliamide wedges (complete kit)
art. M09-21C / N° 8 x 2,80 euros **22,40 euro**
- Epdm gaskets: mt 2,40 x 2 euros **4,80 euro**
- Floor attachments with screws and expansion
art. M09-11/ N° 6 x 3 euros **18,00 euro**
(Seals for the beginning/end of the balustrade: 6 euros each)

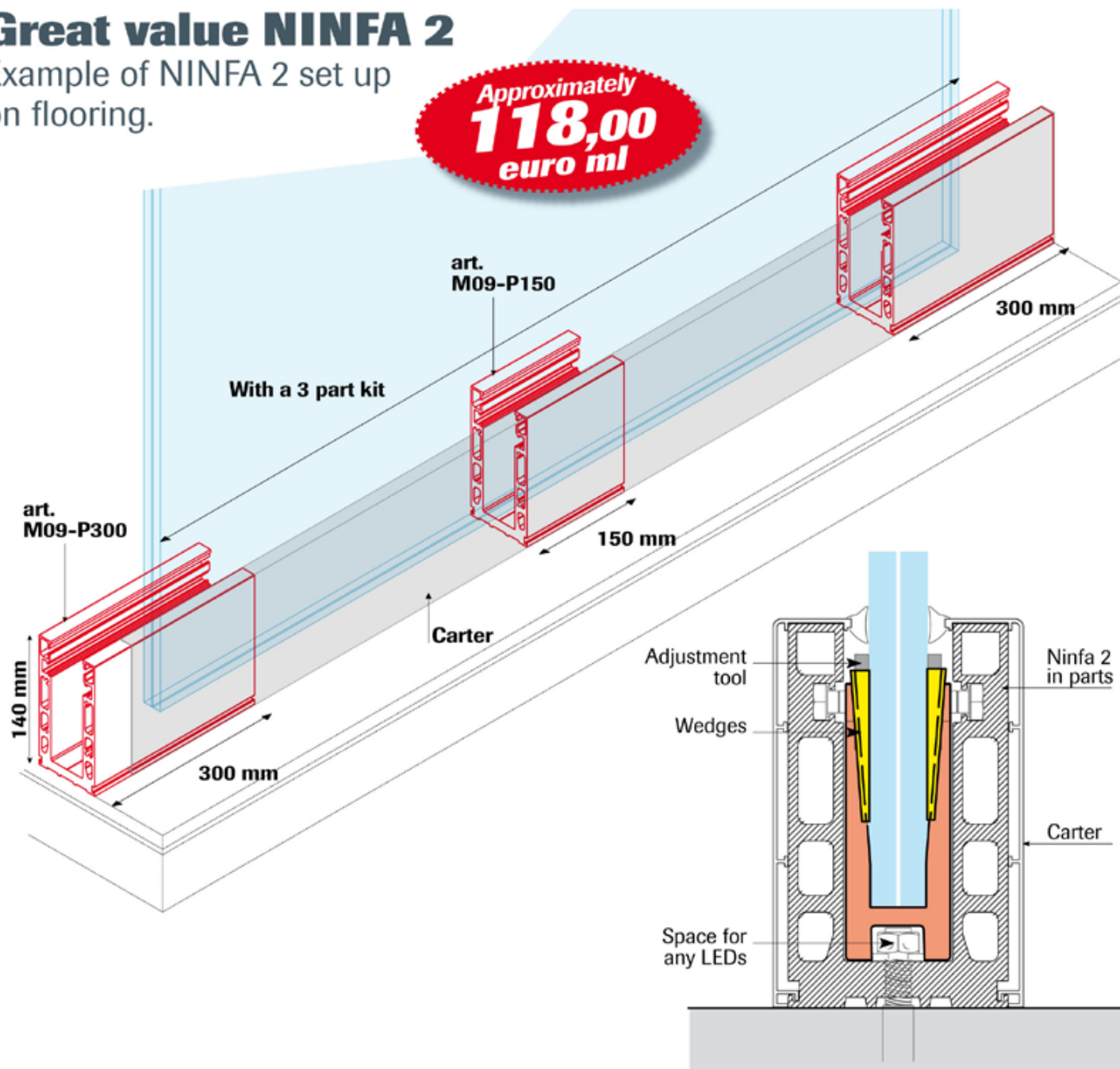
TOTAL COSTS **246,40 euro** (+ m 1,20)

COST IN LINEAR METERS 205.00 EUROS

Great value NINFA 2

Example of NINFA 2 set up on flooring.

Approximately
118,00
euro ml



Testing certified in the laboratory.

glass	resistance in linear meters
8+8+1,52	non certified
10+10+1,52	100 Kg

The kit includes all necessary accessories: adjustment tools, wedges, fixing screws

(CUNEO available for delivery from April 2011)

Example of the cost for an accessory kit for a glass with a thickness of 120 cm

- Profile in parts art. M09-P300 n°1 x 67 euros	67,00 euro
- Profilo in parts art. M09-P150 n°1 x 31 euros	31,00 euro
- Carter aluminium parts art. M09-1P mt 2.40 x 16 euros	38,40 euro
- EPDM gaskets: m 2,40 x 2 euro	4,80 euro
<i>(Seals for the beginning/end of the balustrade: 6 euros each)</i>	

TOTAL COSTS **141,20 euro (+ m 1,20)**

COST IN LINEAR METERS 118.00 EUROS

Faraone
STAINLESS STEEL AND GLASS PRODUCTS FOR ARCHITECTURE

Faraone news
01/2011

Reminder of the laws regarding balustrades/railings.

SINCE WHEN HAVE THESE LAWS BEEN ENFORCED?

Since 01/07/2009 and the ministerial law of 14/01/2008.

WHAT KIND OF AREAS DOES THIS LAW REFER TO?

- Housing, offices, even those open to the general public, hospitals, restaurants, cafés, **with the exception of areas which tend to be overcrowded, a resistance to the force of 100kg/ml**
- **For areas which may be crowded:** balconies, connecting balconies, communal stairs, shops, shopping centres, department stores, book shops, conference centres, cinemas, theatres, churches, viewing galleries, hotels, offices open to the general public, hospitals, restaurants, banks, schools, **for a resistance to the force of 200 Kg/ml.**
- **For private areas free from obstacles for the free movement of people,** such as museums, exhibition centres, railway stations, dance halls, gyms, open viewing galleries, buildings for public events, concerts halls, sports halls and their viewing galleries, **a resistance to the force of 300Kg/ml**

DOES YOUR PRODUCT CONFORM TO THESE LAWS? MAKE SURE IT IS SOLD AND SET UP ACCORDING TO THESE LAWS.



WHO CAN BE HELD LEGALLY RESPONSIBLE IF A CHILD FALLS FROM A BALCON? WELL EVERYONE INVOLVED IS HELD LEGALLY RESPONSIBLE:
1st in line held legally responsible: the craftsman who carried out the work;
2nd person held legally responsible: the designer and director of the work carried out;

3rd person held legally responsible: the construction company;

4th person held legally responsible: the owner.

Would you like a free sample of NINFA?

YOU CAN PLACE AN ORDER BY E-MAIL TO SEGRETERIA@FARAONE.IT OR SEND A FAX TO OPPURE **0861.781035**.

FREE SAMPLE. DELIVERY COSTS: AT YOUR OWN EXPENSE.



The sample comes in the case pictured above.

FARAONE

STAINLESS STEEL AND GLASS PRODUCTS FOR ARCHITECTURE

FARAONE S.r.l.

VIA PO, 12 - 64018 TORTORETO (TE) ITALY

TEL. +39 0861.784200

FAX +39 0861.781035

www.faraone.it - segreteria@faraone.it

SHOWROOM MILANO

VIA CERVI, 7

TREZZANO SUL NAVIGLIO (MI)

TEL. 02.4456531

CELL. 338.6560794

milano@faraone.it



UNCSAAL
FEDERVARIE

Visit our
website at
www.faraone.it

For further information about NINFA and our complete range of products and services, visit the new website www.faraone.it Have a look through and download V-NINFA in the catalogue section!